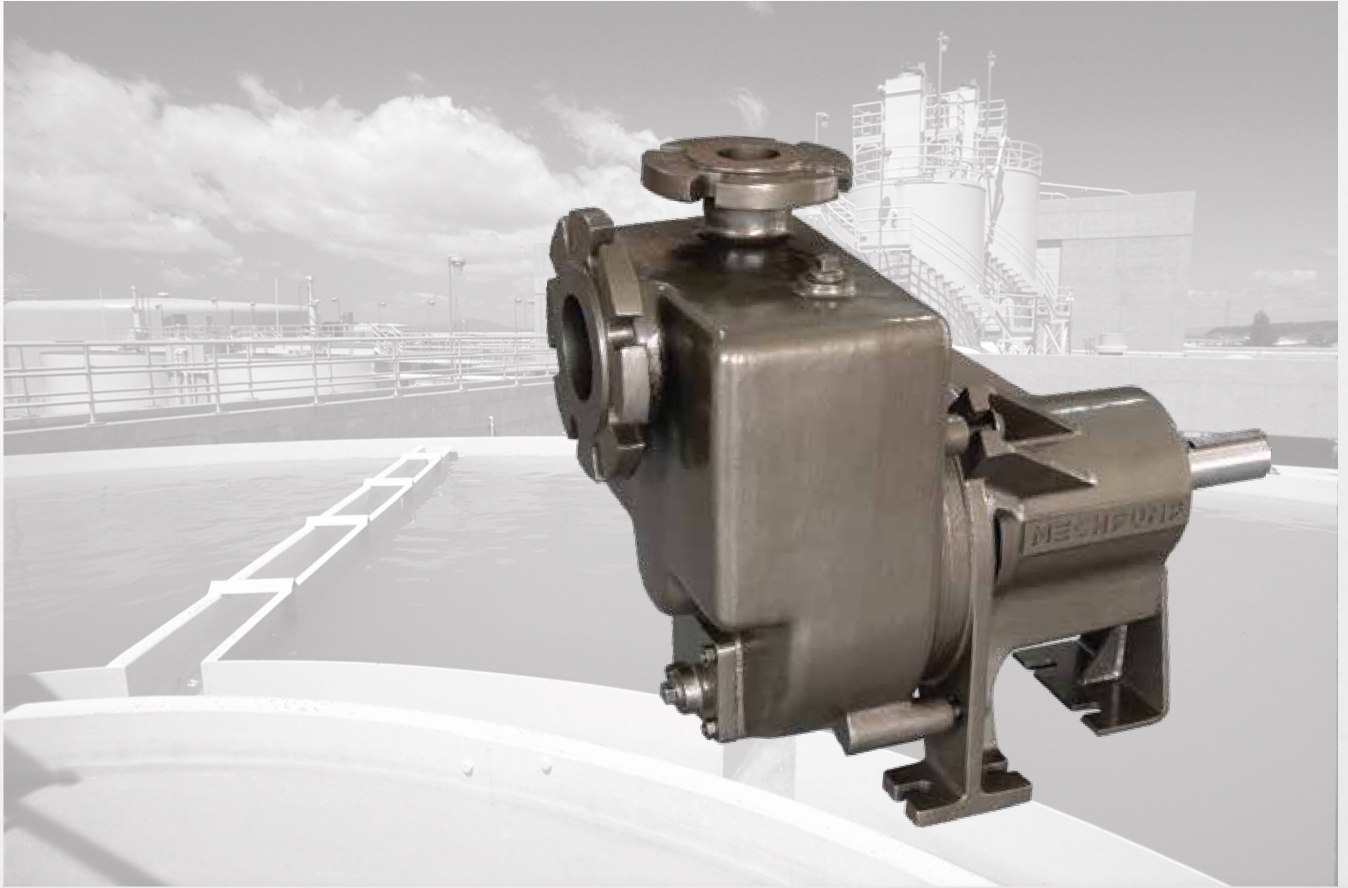




Great Oriental Trading  
[www.gotrading.co.th](http://www.gotrading.co.th)



# OBSPX

SELF PRIMING END SUCTION PUMP

**WASTEX**

# OBSPX

## SELF PRIMING END SUCTION PUMP



### PRODUCT FEATURES

OBSPX Self Priming are built to suit your needs, to pump CLEAN or DIRTY WATER, SALINE WATER, as well as Diesel & Light Oils.

Choice of Materials is available in Cast Iron, Stainless steel, Bronze. Seal faces & elastomers can be selected on Mechanical Seal, which are available in Carbon vs Ceramic or Silicon vs Silicon faces, and they are all in Metric sizes. Self Priming Pump has large bearings, shaft and large mechanical seal to suit different kinds of industrial applications. The carefully designed of the bearing housing and shaft, coupled with heavy duty bearing make the pump run more stable and minimize the deflection on the shaft, this will prolong mechanical seal life span. Bearings are life lubricated and heavy duty enough for direct couple or vee belt pulley driven.

The thick section pump end components are designed for abrasion and corrosion resistance. Suction and Discharge Flange are in ISO dimensions. Self Priming is designed with an Open Impeller to handle sludge, solids and stringy material.

### APPLICATION

Mild corrosive dirty water, light slurry.

Advantageous to use in condition when the suction pipe is empty, as self-primer is able to draw water up the suction line.

### DESIGN

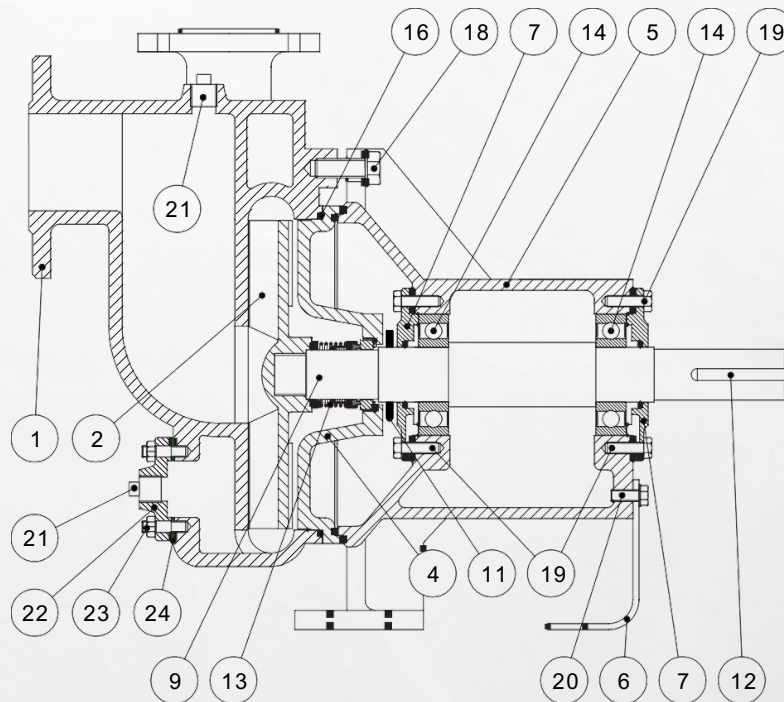
- Heavy duty design for industrial application semi open impeller.
- Features a large cleaning cover for easy removal of clogged materials.
- Back pull out with spacer coupling.

# OBSPX

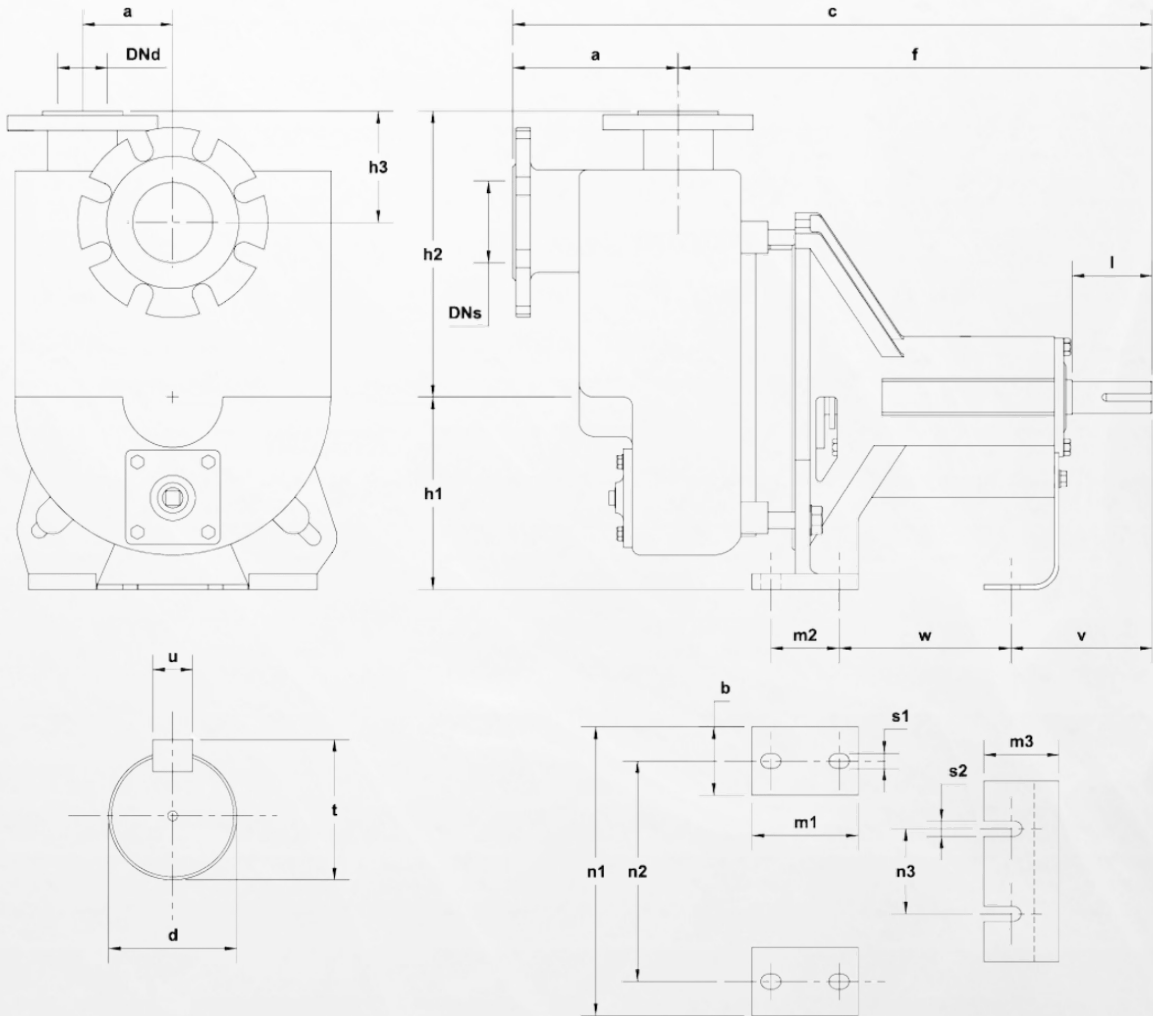
## SELF PRIMING END SUCTION PUMP

### STANDARD FEATURES

- Flanges - ISO as standard
- Mechanical Seal - Carbon vs Ceramic faces
- Bearing - Two (2) bearings located for apart Sealed for life lubrication.
- Vee pulley belt driven
- Working Temperature about 70 deg'C(Max. 85 deg'c)
- Pump End Sealing - NBR



ITEM	DESCRIPTION	ITEM	DESCRIPTION
1	CASING	14	BEARING
2	IMPELLER	16	O-RING
4	SEAL HOUSING	18	BOLT, NUT AND WASHER SET (CASING)
5	BEARING HOUSING	19	BOLT (BEARING COVER)
6	MOUNTING FOOT	20	BOLT, NUT AND WASHER SET (CASING FOOT)
7	BEARING COVER	21	PLUG
9	SHAFT	22	CLEANING COVER
11	WATER THROWER	23	STUD AND NUT SET (CLEANING COVER)
12	KEY	24	CLEANING COVER GASKET
13	MECHANICAL SEAL		



Pump Model	Dimensions in mm																							
	Flanges		Pump Dimension							Foot Mount Dimension										Shaft End				
	DNS	DNd	a	f	c	h1	h2	h3	r	b	m1	m2	m3	n1	n2	n3	s1	s2	v	w	d	l	t	u
OBSPX 2	80	50	165	461	626	210	285	110	90	68	106	68	68	228	220	85	15	15	168	151	42	110	45	12
OBSPX 3	100	80	230	478	708		350	115	95															

# WASTEX

บริษัท เกทโอเรียนเต็ลเทรดดิ้ง จำกัด



074-300212-4



GreatOrientalTrading-GOT



@gotrading

