



RTX

three-lobe roots blower

RTX

RTX three-lobe roots blower

RTX roots blower series is a positive displacement blower which can be utilizing in a wide range of applications. Equipped with three lobe rotors type, RTX roots blower provide an excellent air output stability while generated low noise level and low vibration during operating. Additional accessories also available for installation including silencer, flexible joint, etc.

Industry	Process
▶ Wastewater treatment	Aeration
▶ Brewery and beverage industry	Cleaning process
▶ Fire extinguisher	Spraying fire-resistant material
▶ Fishery	Aeration
▶ Incinerator	Increase oxygen to promote combustion
▶ Fermenting plant	Increase oxygen to promote fermentation
▶ Car washing	Cleaning agent spraying
▶ Pipe clearing	Pipe flushing
▶ Paper mill	Drying process
▶ Electroplate factory	Stirring gas in liquid
▶ Sauna	Air circulation system
▶ Pneumatic conveying	Material conveying

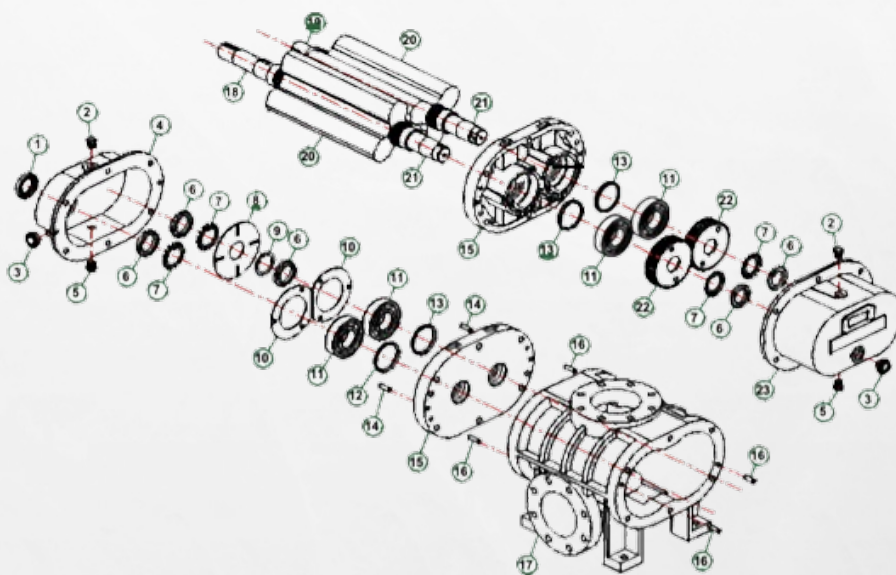
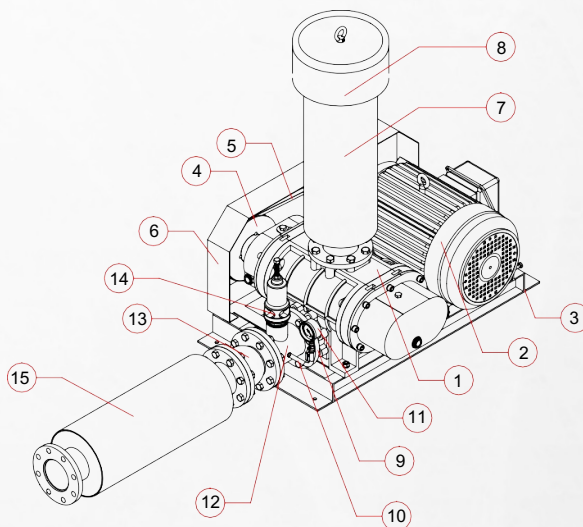


**Sample Models*



External construction

NO.	Part List	MATERIAL
1	Blower main body	FC250
2	Motor	Refer to MFR
3	Steel base	SS400
4	Pulley	FC250
5	Drive V-belt	Refer to MFR
6	Belt cover	SS400
7	In-let silencer	SS400
8	Rain cover	SS400
9	Check valve	SS400
10	Gauge pipe	SS400
11	Pressure gauge	Refer to MFR
12	T-Joint	SS400
13	Flexible joint	SS400 + EPDM
14	Safety valve	FC250
15	Out-let silencer	SS400



NO.	NAME	MATERIAL	Q'TY	NO.	NAME	MATERIAL	Q'TY
1	TC Oil seal	NBR	1	13	V-ring	Viton	3
2	Lubricant plug	ABS	2	14	Positioning pins	S45C	2
3	Oil sight window	Glass	2	15	Bearing case	FC250	2
4	Oil reservoir	FC250	1	16	Positioning pins	S45C	4
5	Purge plug	S45C	2	17	Blower casing	FC250	1
6	Locking nuts	S45C	5	18	Drive shaft	SCM440	1
7	Lock washer	S45C	4	19	Driven shaft	SCM440	1
8	Oil thrower	SS400	1	20	Rotors	FC250	2
9	Oil thrower washer	SS400	1	21	Gear Shaft	SCM440	2
10	Bearing fixtures	SS400	2	22	Timing gears	SNCM220	2
11	Bearings	SUJ2	4	23	Oil reservoir	FC250	1
12	TC Oil seal	NBR	1				

Conversion table

Pressure	atm	kPa	bar	lbt/in ² (psi)	kgf/cm ²	in Hg	ftAq	mmHg(Torr)	mmAq
1 atm	1	101.325	1.01325	14.696	1.0333	29.921	33.914	760	10333
1 kPa	0.0099	1	0.01	0.145	0.0102	0.295	0.335	7.5	102
1 bar	0.9869	100	1	14.504	1.0198	29.53	33.47	750	10198
1 lbt/in ² (psi)	0.068	6.894	0.0689	1	0.0703	2.036	2.308	51.71	703
1 kgf/cm ²	0.968	98.062	0.981	14.228	1	28.96	32.82	735.53	10000
1 inHg	0.0334	3.3863	0.0339	0.491	0.0345	1	1.133	25.4	345.3
1 ftAq	0.0295	2.99	0.0299	0.434	0.0305	0.882	1	22.42	304.8
1 mmHg(Torr)	0.013	0.1338	0.00138	0.019	0.0014	0.04	0.045	1	13.6
1 mmAq	0.000097	0.0098	0.000098	0.0014	0.0001	0.003	0.0033	0.074	1

Capacity	m ³ /min	l/min	cm ³ /s	in ³ /s	ft ³ /min(cfm)
1 m ³ /min	1	1000	16667	1016	35.288
1 l/min	0.001	1	16.67	1.02	0.0353
1 cm ³ /s	0.00006	0.06	1	0.061	0.002
1 in ³ /s	0.00098	0.983	16.39	1	0.035
1 ft ³ /min(cfm)	0.028	28.32	471.95	28.8	1

Pressure Conversion Formula

$$1 \text{ kPa} = 1000\text{Pa} = 1000\text{N/m}^2$$

$$1\text{mbar} = 10.198\text{mmAq}$$

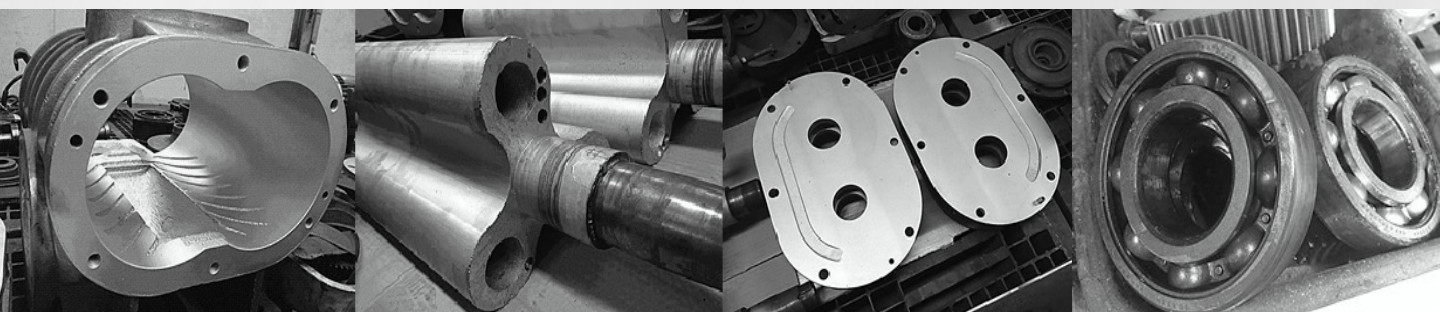
$$1\text{mmHg(Torr)} = 133.8\text{Pa}$$

Working directions of performance table

- The performance table indicate the model, diameter, speed (RPM), discharge pressure, actual inlet air capacity and shaft power of the blower.
- The performance table indicate the air quantity in standard suction condition (20°C temperature, absolute pressure 1.0332 kgf/cm² and relative humidity 65%).
- The reference air capacity (0°C temperature and absolute pressure 1.0332kgf/cm²) is generally indicated in Nm³/min.
- The outlet air capacity can be converted as following.

$$Q_2 = Q_1 \times \frac{P_1}{P_2} \times \frac{273+T_2}{273+T_1}$$

Q₁ : Air capacity (m³/min) based on absolute pressure P₁(mmAq) and temperature T₁(°C)
 Q₂ : Air capacity (m³/min) based on absolute pressure P₂(mmAq) and temperature T₂(°C)
- Select motor rated output with 15 - 20% additional power to given shaft power.



Performance table

Model	RPM	1000mmAq		2000mmAq		3000mmAq		4000mmAq		5000mmAq		6000mmAq		7000mmAq		8000mmAq	
		Qs	La	Qs	La	Qs	La	Qs	La	Qs	La	Qs	La	Qs	La	Qs	La
RTX-40	850	1.02	0.42	0.89	0.64	0.79	0.85	0.71	1.07	0.63	1.29						
	950	1.18	0.47	1.05	0.71	0.95	0.95	0.86	1.2	0.79	1.44						
	1050	1.33	0.52	1.2	0.79	1.1	1.06	1.02	1.32	0.94	1.59						
	1150	1.49	0.57	1.36	0.86	1.26	1.16	1.18	1.45	1.1	1.74						
	1250	1.65	0.62	1.52	0.94	1.42	1.26	1.33	1.58	1.26	1.9	1.19	2.22	1.13	2.54	1.07	2.86
	1350	1.8	0.67	1.67	1.01	1.57	1.36	1.49	1.7	1.42	2.05	1.35	2.39	1.29	2.74	1.23	3.08
	1450	1.96	0.71	1.83	1.09	1.73	1.46	1.65	1.83	1.57	2.2	1.5	2.57	1.44	2.94	1.39	3.31
	1550	2.12	0.76	1.99	1.16	1.89	1.56	1.8	1.95	1.73	2.35	1.66	2.75	1.6	3.15	1.54	3.54
	1650	2.27	0.81	2.14	1.24	2.04	1.66	1.96	2.08	1.89	2.5	1.82	2.93	1.76	3.35	1.7	3.77
	1750	2.43	0.86	2.3	1.31	2.2	1.76	2.12	2.21	2.04	2.65	1.98	3.1	1.91	3.55	1.86	4
	1850	2.59	0.91	2.46	1.39	2.36	1.86	2.27	2.33	2.2	2.81	2.13	3.28	2.07	3.75	2.01	4.23
1950	2.74	0.96	2.61	1.46	2.51	1.96	2.43	2.46	2.36	2.96	2.29	3.46	2.23	3.96	2.17	4.46	
RTX-50	850	1.81	0.61	1.64	0.97	1.52	1.34	1.41	1.7	1.31	2.06	1.22	2.42	1.14	2.79	1.07	3.15
	950	2.07	0.68	1.91	1.09	1.78	1.49	1.67	1.9	1.57	2.3	1.48	2.71	1.4	3.11	1.33	3.52
	1050	2.34	0.75	2.17	1.2	2.04	1.65	1.93	2.1	1.83	2.55	1.75	2.99	1.67	3.44	1.59	3.89
	1150	2.6	0.82	2.43	1.32	2.3	1.81	2.19	2.3	2.09	2.79	2.01	3.28	1.93	3.77	1.85	4.26
	1250	2.86	0.9	2.69	1.43	2.56	1.96	2.45	2.5	2.35	3.03	2.27	3.56	2.19	4.1	2.11	4.63
	1350	3.12	0.97	2.95	1.54	2.82	2.12	2.71	2.7	2.62	3.27	2.53	3.85	2.45	4.42	2.37	5
	1450	3.38	1.04	3.21	1.66	3.08	2.28	2.97	2.9	2.88	3.51	2.79	4.13	2.71	4.75	2.64	5.37
	1550	3.64	1.11	3.47	1.77	3.34	2.43	3.23	3.1	3.14	3.76	3.05	4.42	2.97	5.08	2.9	5.74
	1650	3.9	1.18	3.73	1.89	3.61	2.59	3.5	3.3	3.4	4	3.31	4.7	3.23	5.41	3.16	6.11
	1750	4.16	1.26	4	2	3.87	2.75	3.76	3.5	3.66	4.24	3.57	4.99	3.49	5.74	3.42	6.48
	1850	4.43	1.33	4.26	2.12	4.13	2.91	4.02	3.7	3.92	4.48	3.84	5.27	3.76	6.06	3.68	6.85
1950	4.69	1.4	4.52	2.23	4.39	3.06	4.28	3.89	4.18	4.73	4.1	5.56	4.02	6.39	3.94	7.22	
RTX-65	850	2.38	0.79	2.16	1.18	2	1.66	1.86	2.13	1.74	2.6	1.63	3.07	1.53	3.54	1.44	4.01
	950	2.71	0.88	2.5	1.32	2.34	1.85	2.2	2.38	2.08	2.91	1.97	3.43	1.87	3.96	1.78	4.49
	1050	3.05	0.97	2.84	1.46	2.68	2.05	2.54	2.63	2.42	3.21	2.31	3.79	2.21	4.38	2.12	4.96
	1150	3.39	1.06	3.18	1.6	3.02	2.24	2.88	2.88	2.76	3.52	2.65	4.15	2.55	4.79	2.46	5.43
	1250	3.73	1.16	3.52	1.74	3.36	2.44	3.22	3.13	3.1	3.82	2.99	4.52	2.89	5.21	2.8	5.9
	1350	4.07	1.25	3.86	1.88	3.7	2.63	3.56	3.38	3.44	4.13	3.33	4.88	3.23	5.63	3.14	6.38
	1450	4.41	1.34	4.2	2.02	4.04	2.83	3.9	3.63	3.78	4.43	3.67	5.24	3.57	6.04	3.48	6.85
	1550	4.75	1.43	4.54	2.16	4.38	3.02	4.24	3.88	4.12	4.74	4.01	5.6	3.91	6.46	3.82	7.32
	1650	5.09	1.53	4.88	2.3	4.72	3.22	4.58	4.13	4.46	5.05	4.35	5.96	4.25	6.88	4.16	7.79
	1750	5.43	1.62	5.22	2.44	5.06	3.41	4.92	4.38	4.8	5.35	4.69	6.32	4.59	7.29	4.5	8.26
	1850	5.77	1.71	5.56	2.58	5.4	3.61	5.26	4.63	5.14	5.66	5.03	6.68	4.93	7.71	4.84	8.74
1950	6.11	1.8	5.9	2.72	5.74	3.8	5.6	4.88	5.48	5.96	5.37	7.05	5.27	8.13	5.18	9.21	
RTX-80	800	4.11	1.3	3.83	2.09	3.62	2.87	3.44	3.65	3.28	4.44	3.13	5.22	3	6	2.87	6.78
	900	4.71	1.47	4.43	2.35	4.22	3.23	4.03	4.11	3.87	4.99	3.73	5.87	3.6	6.75	3.47	7.63
	1000	5.31	1.63	5.03	2.61	4.82	3.59	4.63	4.57	4.47	5.55	4.33	6.52	4.2	7.5	4.07	8.48
	1100	5.91	1.79	5.63	2.87	5.42	3.95	5.23	5.02	5.07	6.1	4.93	7.18	4.79	8.25	4.67	9.33
	1200	6.51	1.96	6.23	3.13	6.01	4.31	5.83	5.48	5.67	6.65	5.53	7.83	5.39	9	5.27	10.18
	1300	7.11	2.12	6.83	3.39	6.61	4.66	6.43	5.94	6.27	7.21	6.13	8.48	5.99	9.75	5.87	11.03
	1400	7.71	2.28	7.43	3.65	7.21	5.02	7.03	6.39	6.87	7.76	6.73	9.13	6.59	10.5	6.47	11.87
	1500	8.31	2.45	8.03	3.91	7.81	5.38	7.63	6.85	7.47	8.32	7.32	9.79	7.19	11.25	7.07	12.72
	1600	8.91	2.61	8.63	4.18	8.41	5.74	8.23	7.31	8.07	8.87	7.92	10.44	7.79	12	7.67	13.57
	1650	9.21	2.69	8.93	4.31	8.71	5.92	8.53	7.54	8.37	9.15	8.22	10.76	8.09	12.38	7.97	13.99
	1750	9.81	2.85	9.53	4.57	9.31	6.28	9.13	7.99	8.97	9.7	8.82	11.42	8.69	13.13	8.57	14.84
1850	10.41	3.02	10.12	4.83	9.91	6.64	9.73	8.45	9.57	10.26	9.42	12.07	9.29	13.88	9.16	15.69	
1950	11	3.18	10.72	5.09	10.51	7	10.33	8.91	10.17	10.81	10.02	12.72	9.89	14.63	9.76	16.54	

Remark: 1. Qs unit = inlet air flow (m³/min) 2. Ls unit = shaft power (BKW)

Performance table

Model	RPM	1000mmAq		2000mmAq		3000mmAq		4000mmAq		5000mmAq		6000mmAq		7000mmAq		8000mmAq	
		Qs	La	Qs	La	Qs	La	Qs	La	Qs	La	Qs	La	Qs	La	Qs	La
RTX-100	800	5.78	1.98	5.39	3.07	5.09	4.17	4.84	5.26	4.62	6.36	4.42	7.46	4.24	8.55	4.07	9.65
	900	6.61	2.22	6.23	3.46	5.93	4.69	5.68	5.92	5.46	7.15	5.26	8.39	5.08	9.62	4.91	10.85
	1000	7.45	2.47	7.07	3.84	6.77	5.21	6.52	6.58	6.3	7.95	6.1	9.32	5.91	10.69	5.74	12.06
	1100	8.29	2.72	7.9	4.22	7.61	5.73	7.36	7.24	7.14	8.74	6.94	10.25	6.75	11.76	6.58	13.27
	1200	9.13	2.96	8.74	4.61	8.45	6.25	8.2	7.9	7.98	9.54	7.78	11.18	7.59	12.83	7.42	14.47
	1300	9.97	3.21	9.58	4.99	9.29	6.77	9.03	8.55	8.81	10.33	8.61	12.12	8.43	13.9	8.26	15.68
	1400	10.81	3.46	10.42	5.37	10.12	7.29	9.87	9.21	9.65	11.13	9.45	13.05	9.27	14.97	9.1	16.88
	1500	11.65	3.7	11.26	5.76	10.96	7.81	10.71	9.87	10.49	11.92	10.29	13.98	10.11	16.03	9.94	18.09
	1600	12.49	3.95	12.1	6.14	11.8	8.33	11.55	10.53	11.33	12.72	11.13	14.91	10.95	17.1	10.78	19.3
	1650	12.91	4.07	12.52	6.33	12.22	8.6	11.97	10.86	11.75	13.12	11.55	15.38	11.37	17.64	11.2	19.9
	1750	13.74	4.32	13.36	6.72	13.06	9.12	12.81	11.51	12.59	13.91	12.39	16.31	12.21	18.71	12.04	21.1
	1850	14.58	4.57	14.2	7.1	13.9	9.64	13.65	12.17	13.43	14.71	13.23	17.24	13.04	19.78	12.87	22.31
1950	15.42	4.81	15.03	7.49	14.74	10.16	14.49	12.83	14.27	15.5	14.07	18.17	13.88	20.84	13.71	23.52	
RTX-125A	780	8.59	2.61	8.17	4.18	7.85	5.74	7.58	7.31	7.34	8.88	7.13	10.44	6.93	12.01	6.75	13.58
	830	9.2	2.78	8.78	4.44	8.46	6.11	8.2	7.78	7.96	9.45	7.74	11.11	7.55	12.78	7.36	14.45
	880	9.82	2.95	9.4	4.71	9.08	6.48	8.81	8.25	8.57	10.01	8.36	11.78	8.16	13.55	7.98	15.32
	930	10.43	3.11	10.01	4.98	9.69	6.85	9.42	8.72	9.19	10.58	8.97	12.45	8.78	14.32	8.59	16.19
	990	11.17	3.31	10.75	5.3	10.43	7.29	10.16	9.28	9.93	11.27	9.71	13.25	9.51	15.24	9.33	17.23
	1050	11.91	3.51	11.49	5.62	11.17	7.73	10.9	9.84	10.66	11.95	10.45	14.06	10.25	16.17	10.07	18.28
	1110	12.64	3.72	12.23	5.94	11.91	8.17	11.64	10.4	11.4	12.63	11.19	14.86	10.99	17.09	10.81	19.32
	1180	13.5	3.95	13.09	6.32	12.77	8.69	12.5	11.06	12.26	13.43	12.05	15.8	11.85	18.17	11.67	20.54
	1250	14.36	4.18	13.95	6.69	13.63	9.2	13.36	11.71	13.12	14.23	12.91	16.74	12.71	19.25	12.53	21.76
	1320	15.23	4.42	14.81	7.07	14.49	9.72	14.22	12.37	13.98	15.02	13.77	17.67	13.57	20.32	13.39	22.97
	1390	16.09	4.65	15.67	7.44	15.35	10.24	15.08	13.03	14.84	15.82	14.63	18.61	14.43	21.4	14.25	24.19
	1470	17.07	4.92	16.65	7.87	16.33	10.82	16.06	13.78	15.83	16.73	15.61	19.68	15.42	22.63	15.23	25.59
	1560	18.18	5.22	17.76	8.35	17.44	11.49	17.17	14.62	16.93	17.75	16.72	20.89	16.52	24.02	16.34	27.15
	1650	19.28	5.52	18.87	8.84	18.55	12.15	18.28	15.46	18.04	18.78	17.83	22.09	17.63	25.4	17.44	28.72
	1750	20.51	5.86	20.1	9.37	19.78	12.89	19.51	16.4	19.27	19.92	19.06	23.43	18.86	26.94	18.67	30.46
1850	21.74	6.19	21.33	9.91	21.01	13.62	20.74	17.34	20.5	21.05	20.28	24.77	20.09	28.48	19.9	32.2	
RTX-125	780	12.64	3.82	12.08	6.11	11.64	8.39	11.27	10.68	10.95	12.97	10.66	15.26	10.39	17.55	10.14	19.84
	830	13.54	4.06	12.97	6.5	12.54	8.93	12.17	11.37	11.85	13.81	11.55	16.24	11.28	18.68	11.03	21.11
	880	14.44	4.3	13.87	6.89	13.44	9.47	13.07	12.05	12.75	14.64	12.45	17.22	12.18	19.8	11.93	22.39
	930	15.34	4.55	14.77	7.28	14.34	10.01	13.97	12.74	13.64	15.47	13.35	18.2	13.08	20.93	12.83	23.66
	990	16.42	4.84	15.85	7.75	15.41	10.65	15.05	13.56	14.72	16.47	14.43	19.37	14.16	22.28	13.91	25.18
	1050	17.5	5.14	16.93	8.22	16.49	11.3	16.12	14.38	15.8	17.46	15.51	20.55	15.24	23.63	14.99	26.71
	1110	18.57	5.43	18.01	8.69	17.57	11.95	17.2	15.2	16.88	18.46	16.59	21.72	16.32	24.98	16.07	28.24
	1180	19.83	5.77	19.26	9.24	18.83	12.7	18.46	16.16	18.14	19.63	17.84	23.09	17.57	26.55	17.32	30.02
	1250	21.09	6.11	20.52	9.78	20.09	13.45	19.72	17.12	19.39	20.79	19.1	24.46	18.83	28.13	18.58	31.8
	1320	22.35	6.46	21.78	10.33	21.34	14.21	20.98	18.08	20.65	21.96	20.36	25.83	20.09	29.7	19.84	33.58
	1390	23.61	6.8	23.04	10.88	22.6	14.96	22.23	19.04	21.91	23.12	21.62	27.2	21.35	31.28	21.1	35.36
	1470	25.04	7.19	24.48	11.51	24.04	15.82	23.67	20.14	23.35	24.45	23.06	28.76	22.79	33.08	22.53	37.39
	1560	26.66	7.63	26.09	12.21	25.66	16.79	25.29	21.37	24.97	25.95	24.67	30.53	24.4	35.1	24.15	39.68
	1650	28.28	8.07	27.71	12.91	27.27	17.76	26.91	22.6	26.58	27.44	26.29	32.29	26.02	37.13	25.77	41.97
	1750	30.08	8.56	29.51	13.7	29.07	18.83	28.7	23.97	28.38	29.11	28.09	34.24	27.82	39.38	27.57	44.52
1850	31.87	9.05	31.3	14.48	30.87	19.91	30.5	25.34	30.18	30.77	29.88	36.2	29.61	41.63	29.36	47.06	
RTX-150	780	16.35	4.92	15.64	7.87	15.09	10.82	14.62	13.78	14.22	16.73	13.85	19.68	13.51	22.63	13.2	25.59
	830	17.51	5.24	16.79	8.38	16.25	11.52	15.78	14.66	15.38	17.8	15.01	20.94	14.67	24.08	14.35	27.23
	880	18.67	5.55	17.95	8.88	17.4	12.21	16.94	15.54	16.53	18.87	16.17	22.2	15.83	25.53	15.51	28.87
	930	19.83	5.87	19.11	9.39	18.56	12.91	18.1	16.43	17.69	19.95	17.33	23.47	16.99	26.99	16.67	30.51
	990	21.22	6.24	20.5	9.99	19.95	13.74	19.49	17.49	19.08	21.23	18.72	24.98	18.38	28.73	18.06	32.47

Remark: 1. Qs unit = inlet air flow (m³/min) 2. Ls unit = shaft power (BKW)

Performance table

Model	RPM	1000mmAq		2000mmAq		3000mmAq		4000mmAq		5000mmAq		6000mmAq		7000mmAq		8000mmAq	
		Qs	La	Qs	La	Qs	La	Qs	La	Qs	La	Qs	La	Qs	La	Qs	La
RTX-150	1050	22.61	6.62	21.89	10.6	21.34	14.57	20.88	18.55	20.47	22.52	20.11	26.49	19.77	30.47	19.45	34.44
	1110	24	7	23.28	11.2	22.73	15.4	22.27	19.61	21.86	23.81	21.5	28.01	21.16	32.21	20.84	36.41
	1180	25.62	7.44	24.9	11.91	24.36	16.38	23.89	20.84	23.49	25.31	23.12	29.77	22.78	34.24	22.46	38.71
	1250	27.24	7.89	26.53	12.62	25.98	17.35	25.52	22.08	25.11	26.81	24.74	31.54	24.4	36.27	24.09	41
	1320	28.86	8.33	28.15	13.32	27.6	18.32	27.14	23.31	26.73	28.31	26.36	33.31	26.02	38.3	25.71	43.3
	1390	30.48	8.77	29.77	14.03	29.22	19.29	28.76	24.55	28.35	29.81	27.98	35.07	27.65	40.33	27.33	45.59
	1470	32.34	9.27	31.62	14.84	31.08	20.4	30.61	25.96	30.21	31.53	29.84	37.09	29.5	42.65	29.18	48.22
	1560	34.42	9.84	33.71	15.74	33.16	21.65	32.7	27.55	32.29	33.46	31.92	39.36	31.59	45.27	31.27	51.17
	1650	36.51	10.41	35.8	16.65	35.25	22.9	34.78	29.14	34.38	35.39	34.01	41.63	33.67	47.88	33.36	54.12
	1750	38.83	11.04	38.11	17.66	37.56	24.29	37.1	30.91	36.69	37.53	36.33	44.16	35.99	50.78	35.67	57.4
	1850	41.14	11.67	40.43	18.67	39.88	25.67	39.42	32.68	39.01	39.68	38.64	46.68	38.31	53.68	37.99	60.68
RTX-200A	830	28.66	8.4	27.75	13.44	27.06	18.48	26.47	23.51	25.96	28.55	25.49	33.59	25.06	38.63	24.66	43.67
	880	30.52	8.9	29.61	14.25	28.92	19.59	28.33	24.93	27.81	30.27	27.35	35.62	26.92	40.96	26.52	46.3
	930	32.38	9.41	31.47	15.06	30.78	20.7	30.19	26.35	29.67	31.99	29.21	37.64	28.78	43.29	28.38	48.93
	990	34.61	10.02	33.7	16.03	33.01	22.04	32.42	28.05	31.9	34.06	31.44	40.07	31.01	46.08	30.61	52.09
	1050	36.84	10.62	35.93	17	35.24	23.37	34.65	29.75	34.13	36.12	33.67	42.5	33.24	48.87	32.84	55.25
	1110	39.07	11.23	38.16	17.97	37.47	24.71	36.88	31.45	36.36	38.19	35.9	44.92	35.47	51.66	35.07	58.4
	1180	41.67	11.94	40.76	19.1	40.07	26.27	39.48	33.43	38.96	40.59	38.5	47.76	38.07	54.92	37.67	62.08
	1250	44.27	12.65	43.37	20.24	42.67	27.82	42.08	35.41	41.57	43	41.1	50.59	40.67	58.18	40.27	65.77
	1320	46.87	13.36	45.97	21.37	45.27	29.38	44.69	37.4	44.17	45.41	43.7	53.42	43.27	61.44	42.87	69.45
	1390	49.48	14.06	48.57	22.5	47.87	30.94	47.29	39.38	46.77	47.82	46.3	56.26	45.87	64.7	45.47	73.13
	1470	52.45	14.87	51.54	23.8	50.85	32.72	50.26	41.65	49.74	50.57	49.28	59.49	48.85	68.42	48.45	77.34
RTX-200	880	39.61	11.45	38.59	18.32	37.81	25.19	37.16	32.05	36.58	38.92	36.06	45.79	35.58	52.66	35.13	59.53
	930	42	12.1	40.98	19.36	40.2	26.62	39.55	33.88	38.97	41.13	38.45	48.39	37.97	55.65	37.52	62.91
	990	44.86	12.88	43.85	20.61	43.07	28.33	42.41	36.06	41.84	43.79	41.31	51.52	40.83	59.24	40.39	66.97
	1050	47.73	13.66	46.72	21.86	45.94	30.05	45.28	38.25	44.7	46.44	44.18	54.64	43.7	62.83	43.25	71.03
	1110	50.6	14.44	49.58	23.1	48.81	31.77	48.15	40.43	47.57	49.1	47.05	57.76	46.57	66.42	46.12	75.09
	1180	53.94	15.35	52.93	24.56	52.15	33.77	51.49	42.98	50.92	52.19	50.39	61.4	49.91	70.61	49.47	79.82
	1250	57.29	16.26	56.27	26.02	55.5	35.77	54.84	45.53	54.26	55.29	53.74	65.05	53.26	74.8	52.81	84.56
	1320	60.63	17.17	59.62	27.48	58.84	37.78	58.18	48.08	57.61	58.38	57.08	68.69	56.6	78.99	56.16	89.29
	1390	63.98	18.08	62.96	28.93	62.19	39.78	61.53	50.63	60.95	61.48	60.43	72.33	59.95	83.18	59.5	94.03
	1470	67.8	19.12	66.79	30.6	66.01	42.07	65.35	53.55	64.78	65.02	64.25	76.49	63.77	87.97	63.33	99.44
	RTX-250	830	50.02	14.4	48.83	23.03	47.92	31.67	47.15	40.31	46.48	48.95	45.87	57.59	45.3	66.22	44.78
880		53.21	15.26	52.02	24.42	51.11	33.58	50.34	42.74	49.66	51.9	49.05	61.06	48.49	70.21	47.97	79.37
930		56.39	16.13	55.2	25.81	54.29	35.49	53.53	45.17	52.85	54.85	52.24	64.52	51.68	74.2	51.15	83.88
990		60.21	17.17	59.03	27.48	58.12	37.78	57.35	48.08	56.67	58.38	56.06	68.69	55.5	78.99	54.97	89.29
1050		64.04	18.21	62.85	29.14	61.94	40.07	61.17	51	60.5	61.92	59.88	72.85	59.32	83.78	58.8	94.71
1110		67.86	19.25	66.67	30.81	65.76	42.36	64.99	53.91	64.32	65.46	63.71	77.01	63.14	88.57	62.62	100.12
1180		72.32	20.47	71.13	32.75	70.22	45.03	69.46	57.31	68.78	69.59	68.17	81.87	67.6	94.15	67.08	106.43
1250		76.78	21.68	75.59	34.69	74.68	47.7	73.92	60.71	73.24	73.72	72.63	86.73	72.06	99.74	71.54	112.75
1320		81.24	22.9	80.05	36.63	79.14	50.37	78.38	64.11	77.7	77.85	77.09	91.58	76.53	105.32	76	119.06
1390		85.7	24.11	84.51	38.58	83.6	53.04	82.84	67.51	82.16	81.97	81.55	96.44	80.99	110.91	80.46	125.37
1470		90.8	25.5	89.61	40.8	88.7	56.1	87.93	71.39	87.26	86.69	86.65	101.99	86.08	117.29	85.56	132.59
RTX-300A	830	66.52	19.2	64.86	30.71	63.59	42.23	62.52	53.75	61.57	65.26	60.72	76.78	59.94	88.3	59.21	99.82
	880	70.76	20.35	69.11	32.56	67.84	44.77	66.77	56.99	65.82	69.2	64.97	81.41	64.18	93.62	63.45	105.83
	930	75.01	21.51	73.36	34.41	72.09	47.32	71.01	60.22	70.07	73.13	69.22	86.03	68.43	98.94	67.7	111.84
	990	80.11	22.9	78.45	36.63	77.18	50.37	76.11	64.11	75.17	77.85	74.31	91.58	73.53	105.32	72.8	119.06
	1050	85.21	24.28	83.55	38.85	82.28	53.42	81.21	67.99	80.27	82.56	79.41	97.13	78.63	111.7	77.9	126.27

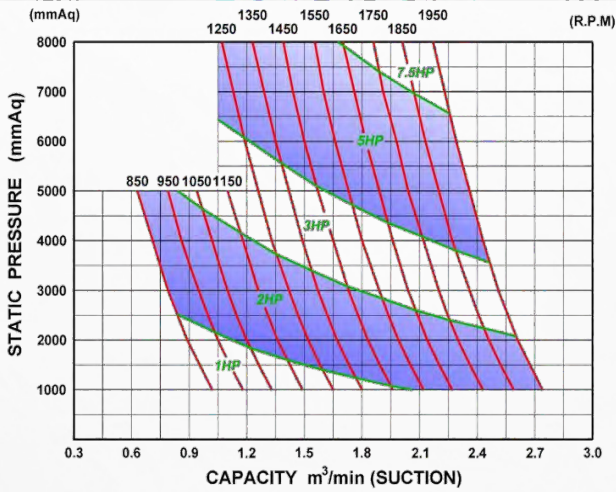
Remark: 1. Qs unit = inlet air flow (m³/min) 2. Ls unit = shaft power (BKW)

Performance table

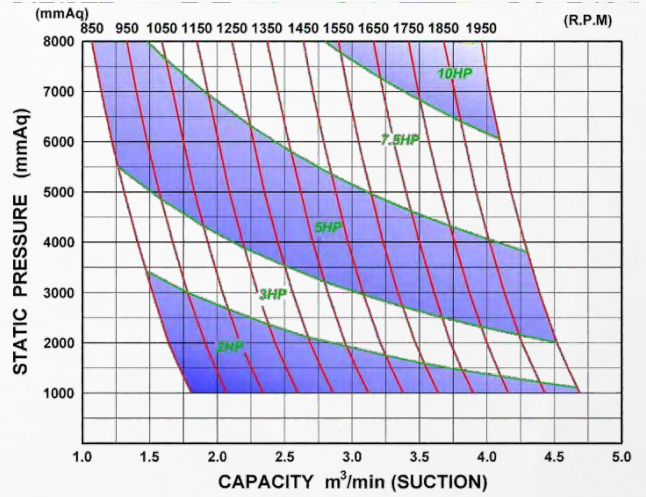
Model	RPM	1000mmAq		2000mmAq		3000mmAq		4000mmAq		5000mmAq		6000mmAq		7000mmAq		8000mmAq	
		Qs	La	Qs	La	Qs	La	Qs	La	Qs	La	Qs	La	Qs	La	Qs	La
RTX-300A	1110	90.3	25.67	88.65	41.07	87.38	56.48	86.31	71.88	85.36	87.28	84.51	102.68	83.72	118.09	82.99	133.49
	1180	96.25	27.29	94.6	43.66	93.32	60.04	92.25	76.41	91.31	92.79	90.46	109.16	89.67	125.53	88.94	141.91
	1250	102.2	28.91	100.54	46.25	99.27	63.6	98.2	80.95	97.26	98.29	96.4	115.64	95.62	132.98	94.89	150.33
	1320	108.15	30.53	106.49	48.84	105.22	67.16	104.15	85.48	103.2	103.79	102.35	122.11	101.57	140.43	100.84	158.75
	1390	114.09	32.15	112.44	51.43	111.17	70.72	110.09	90.01	109.15	109.3	108.3	128.59	107.51	147.88	106.78	167.16
	1470	120.89	34	119.23	54.4	117.96	74.79	116.89	95.19	115.95	115.59	115.09	135.99	114.31	156.39	113.58	176.78
RTX-300	800	101.28	29.11	98.93	46.58	97.12	64.05	95.6	81.52	94.26	98.99	93.05	116.46	91.94	133.92	90.9	151.39
	900	114.64	32.75	112.3	52.4	110.49	72.06	108.97	91.71	107.63	111.36	106.42	131.01	105.31	150.66	104.27	170.32
	1000	128.01	36.39	125.66	58.23	123.86	80.06	122.34	101.9	121	123.73	119.79	145.57	118.68	167.4	117.64	189.24
	1100	141.38	40.03	139.03	64.05	137.23	88.07	135.71	112.09	134.37	136.11	133.16	160.13	132.05	184.14	131.01	208.16
	1200	154.75	43.67	152.4	69.87	150.6	96.08	149.08	122.28	147.74	148.48	146.53	174.68	145.41	200.89	144.38	227.09
	1300	168.12	47.31	165.77	75.7	163.97	104.08	162.45	132.47	161.11	160.85	159.9	189.24	158.78	217.63	157.75	246.01
	1400	181.49	50.95	179.14	81.52	177.34	112.09	175.82	142.66	174.48	173.23	173.27	203.8	172.15	234.37	171.12	264.94
RTX-350	600	118.6	34.31	115.52	54.9	113.16	75.49	111.16	96.08	109.4	116.66	107.82	137.25	106.36	157.84	105	178.43
	700	139.61	40.03	136.53	64.05	134.16	88.07	132.17	112.09	130.41	136.11	128.82	160.13	127.36	184.14	126	208.16
	800	160.62	45.75	157.54	73.2	155.17	100.65	153.18	128.1	151.42	155.55	149.83	183	148.37	210.45	147.01	237.9
	900	181.63	51.47	178.54	82.35	176.18	113.23	174.19	144.11	172.43	174.99	170.84	205.88	169.38	236.76	168.02	267.64
	1000	202.64	57.19	199.55	91.5	197.19	125.81	195.19	160.13	193.44	194.44	191.85	228.75	190.39	263.06	189.03	297.38
	1100	223.64	62.91	220.56	100.65	218.19	138.39	216.2	176.14	214.44	213.88	212.86	251.63	211.39	289.37	210.04	327.11
	1200	244.65	68.63	241.57	109.8	239.2	150.98	237.21	192.15	235.45	233.33	233.86	274.5	232.4	315.68	231.04	356.85
	1400	286.67	80.06	283.58	128.1	281.22	176.14	279.22	224.18	277.47	272.21	275.88	320.25	274.42	368.29	273.06	416.33
RTX-400	600	137.87	39.77	134.46	63.63	131.84	87.5	129.64	111.36	127.69	135.22	125.94	159.09	124.32	182.95	122.82	206.81
	700	162.22	46.4	158.81	74.24	156.19	102.08	153.99	129.92	152.04	157.76	150.29	185.6	148.67	213.44	147.17	241.28
	800	186.57	53.03	183.16	84.85	180.54	116.66	178.34	148.48	176.39	180.3	174.64	212.11	173.02	243.93	171.52	275.75
	900	210.92	59.66	207.51	95.45	204.89	131.25	202.69	167.04	200.74	202.83	198.99	238.63	197.37	274.42	195.87	310.22
	1000	235.27	66.29	231.86	106.06	229.24	145.83	227.04	185.6	225.09	225.37	223.34	265.14	221.72	304.92	220.22	344.69
	1100	259.62	72.91	256.21	116.66	253.59	160.41	251.39	204.16	249.44	247.91	247.69	291.66	246.07	335.41	244.57	379.16
	1200	283.97	79.54	280.56	127.27	277.94	174.99	275.74	222.72	273.79	270.45	272.04	318.17	270.42	365.9	268.92	413.62

Remark: 1. Qs unit = inlet air flow (m³/min) 2. Ls unit = shaft power (BKW)

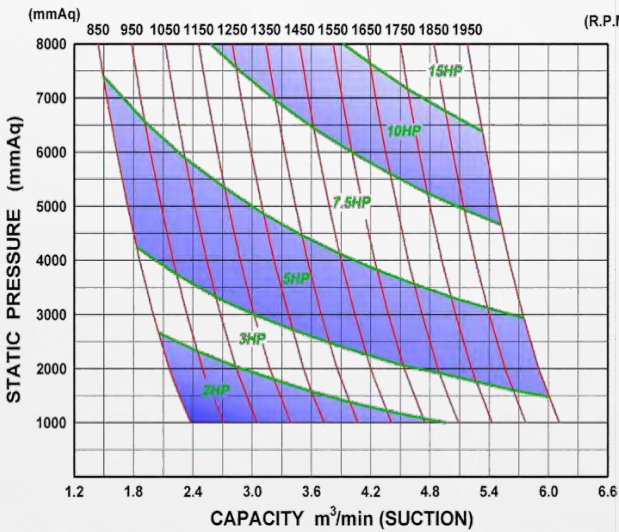
RTX-40



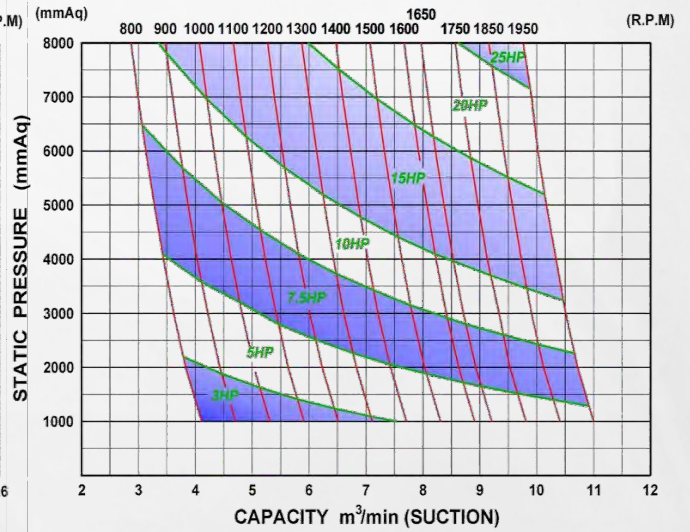
RTX-50



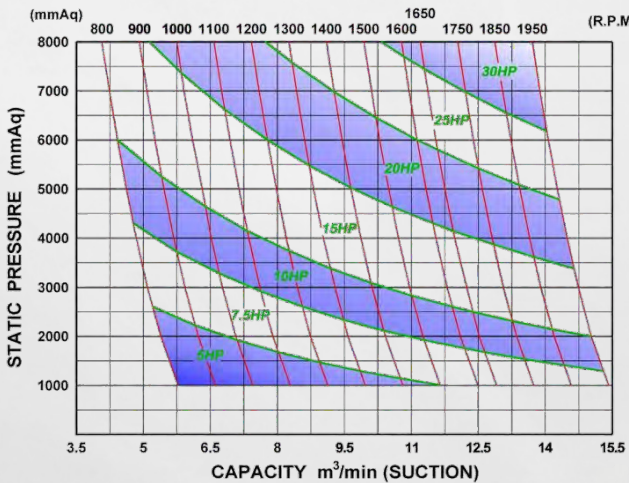
RTX-65



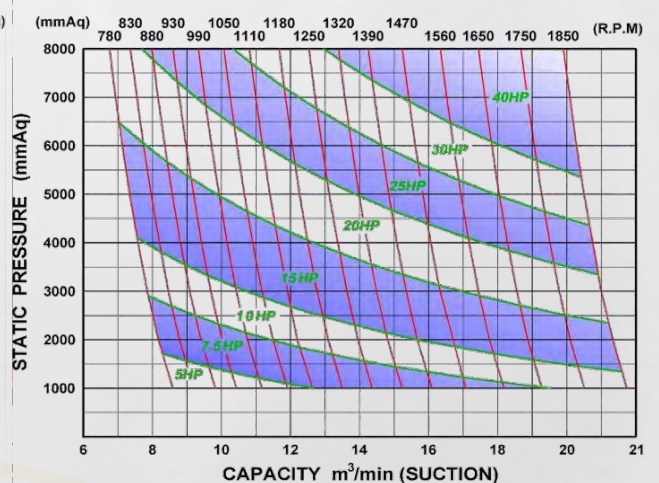
RTX-80



RTX-100

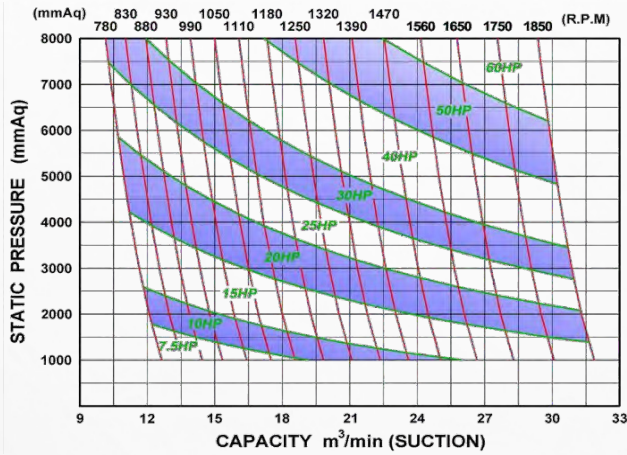


RTX-125A

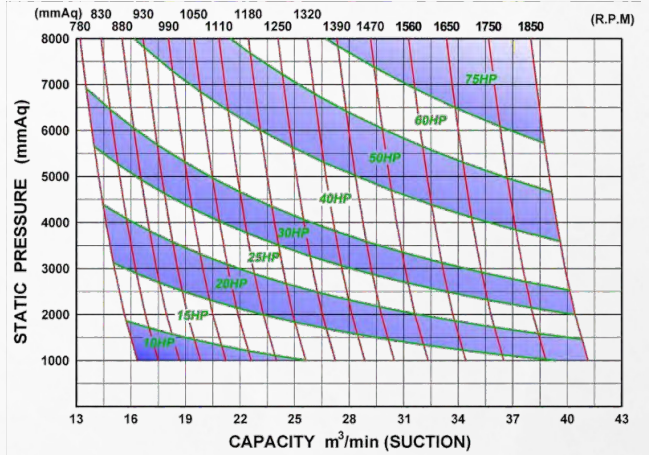


1. Air volume Q (m³/min) is at intake condition.
2. Output of electric motor (HP) is approximate value.

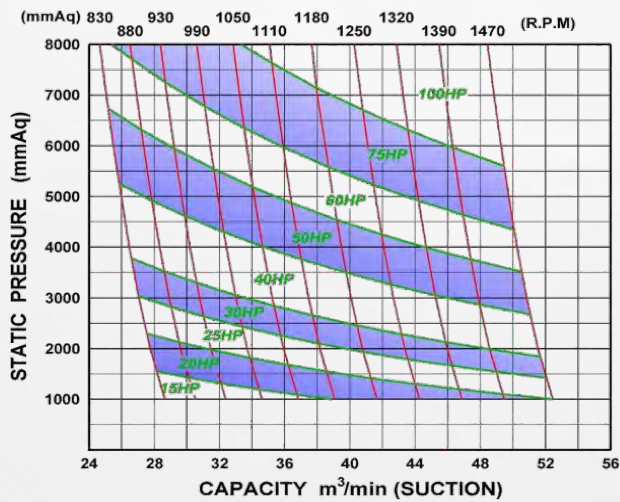
RTX-125



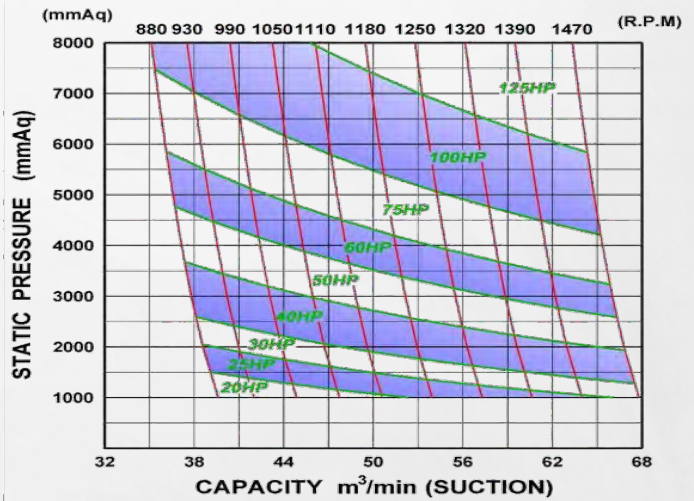
RTX-150



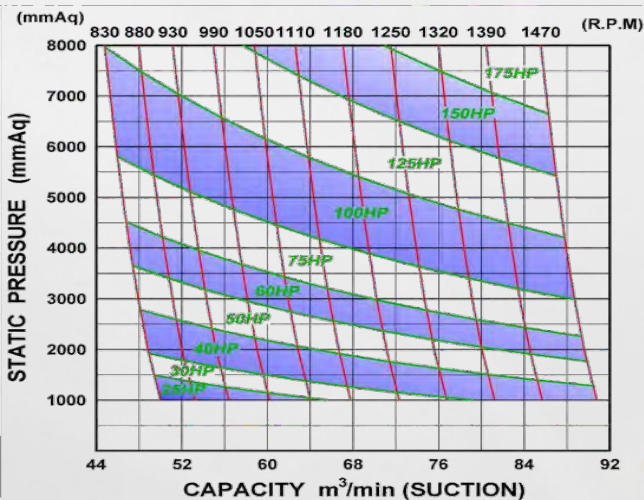
RTX-200A



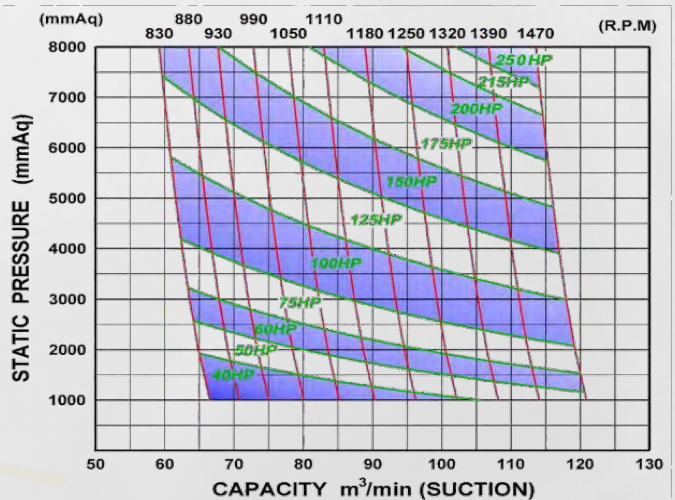
RTX-200



RTX-250



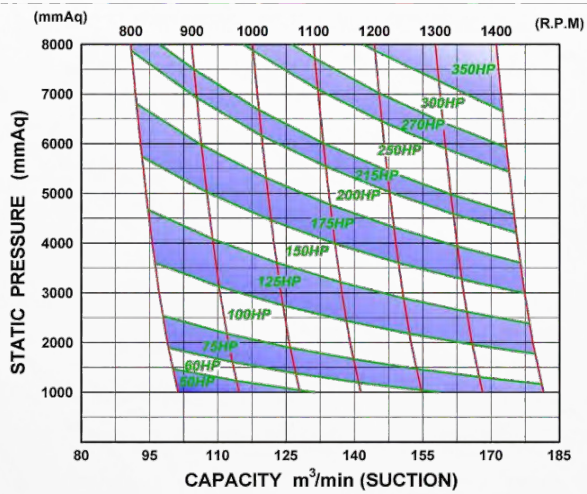
RTX-300A



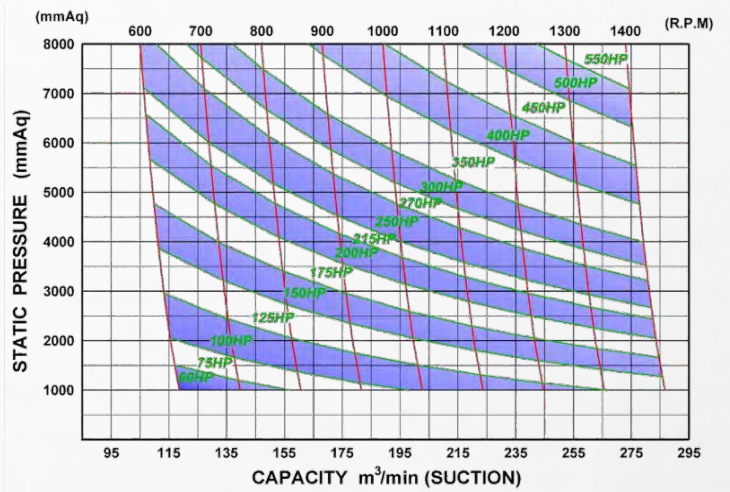
1. Air volume Q (m3/min) is at intake condition.
2. Output of electric motor (HP) is approximate value.

Performance curve

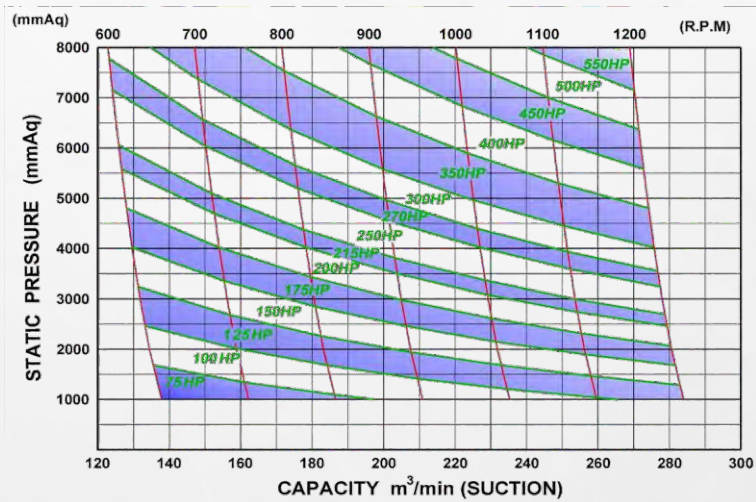
RTX-300



RTX-350



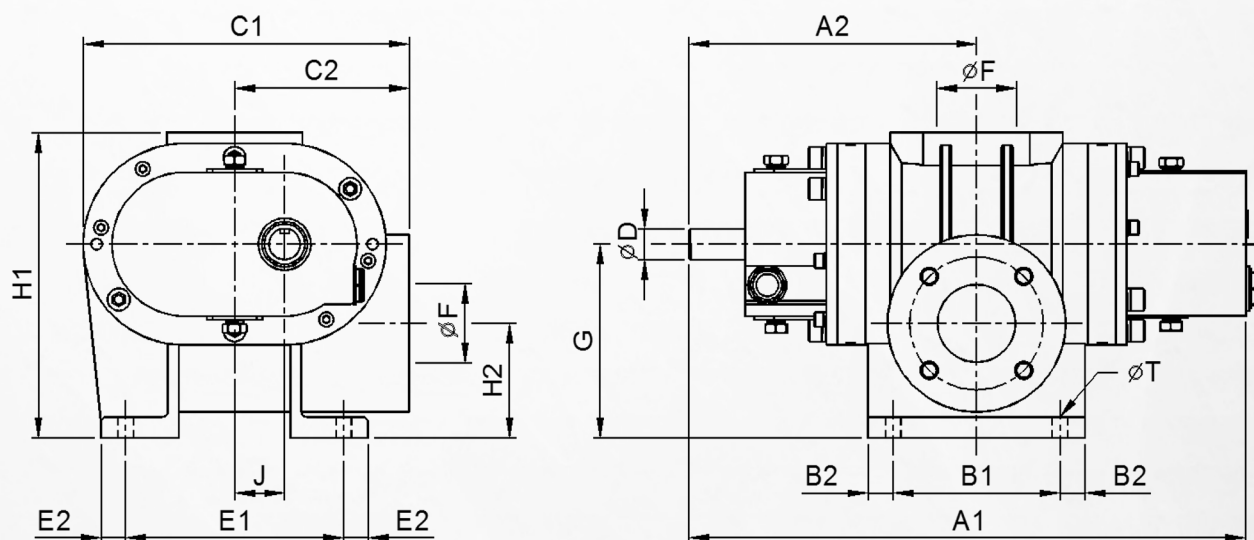
RTX-400



1. Air volume Q (m³/min) is at intake condition.
2. Output of electric motor (HP) is approximate value.

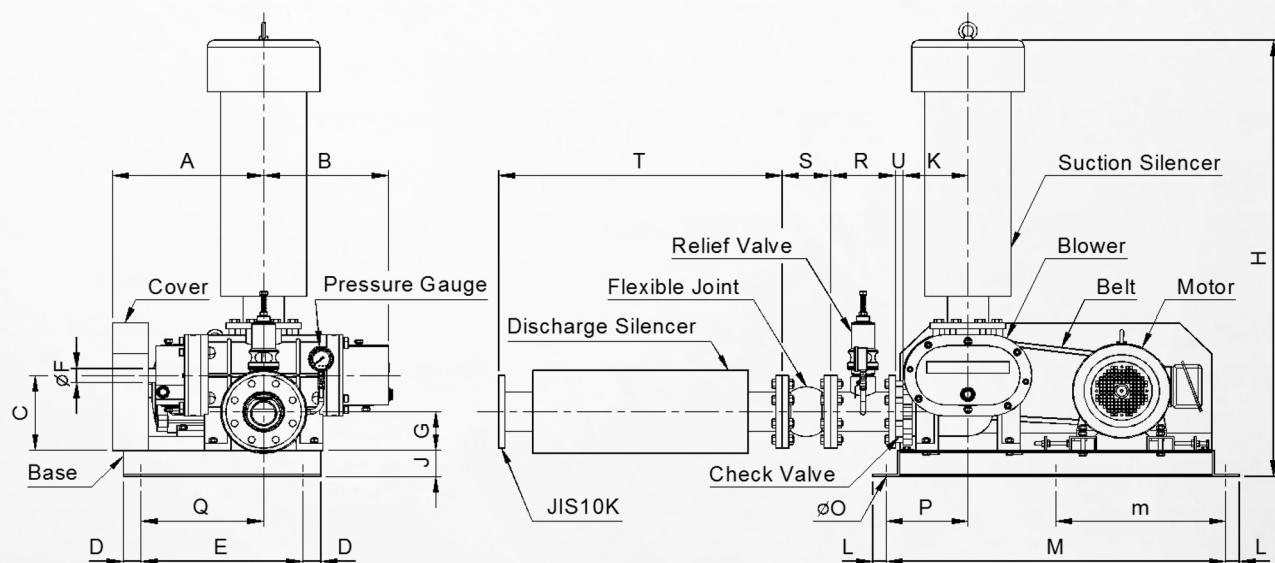


Main-body dimension



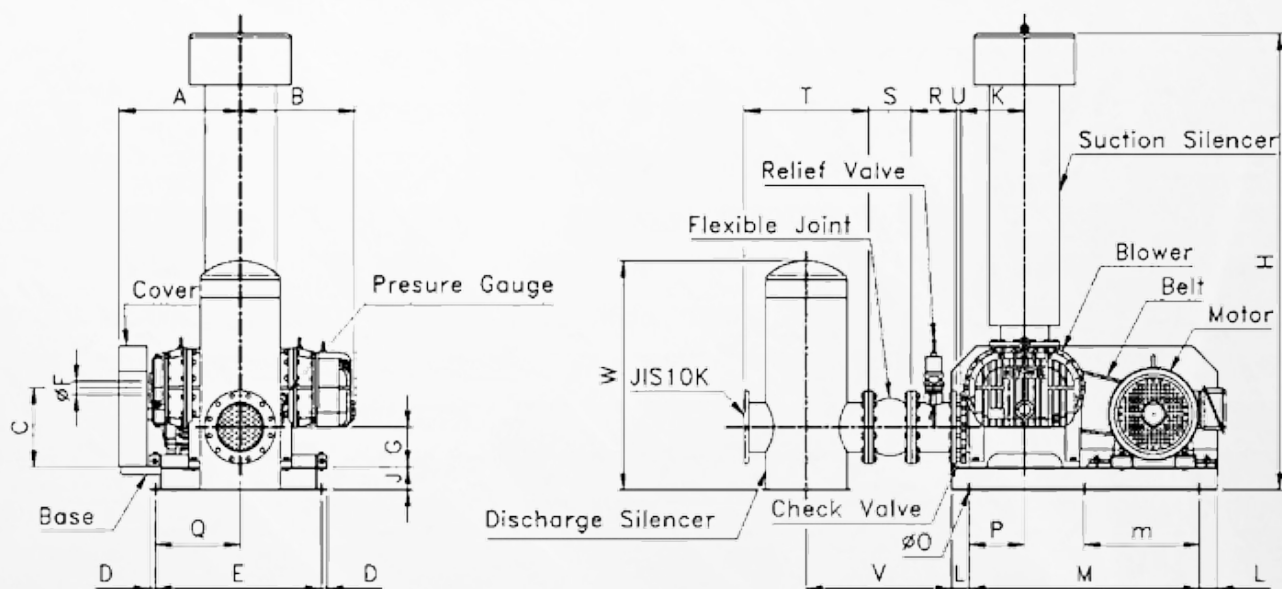
Model	A1	A2	B1	B2	C1	C2	ψD	ψT	E1	E2	ψF	G	H1	H2	J	Wt.(kg)
RTX-40	421	219	80	15	276	140	28	14	196	22	JIS 5K 2" / 10K 2"	180	285	104	45	55
RTX-50	501	259	150	22.5	276	140	28	14	196	22	JIS 10K 2"	191	292	104	45	70
RTX-65	561	289	196	27	288	152	28	14	196	27	JIS 10K 2.5"	194	295	104	45	72
RTX-80	640	343	196	22	358	180	38	14	196	22	JIS 10K 3"	212	341	107	60	136
RTX-100	740	393	282	24	358	180	38	14	232	29	JIS 10K 4"	217	352	112	60	148
RTX-125A	770	400	210	20	483	250	48	19	346	27	JIS 10K 5"	262	430	135	80	248
RTX-125	890	460	310	30	483	250	48	19	355	22.5	JIS 10K 5"	262	430	163	80	274
RTX-150	1000	515	428	26	483	250	48	19	355	22.5	JIS 10K 6"	289	453	163	80	308
RTX-200A	993	495	239	45.5	700	360	65	23	555	42.5	JIS 10K 8"	402	630	198	120	640
RTX-200	1093	545	400	38	690	350	65	23	550	35	JIS 10K 8"	402	630	198	120	732
RTX-250	1243	620	520	25	700	360	65	23	550	35	JIS 10K 10"	435	660	218	120	929
RTX-300A	1479	756	680	45	700	360	75	23	540	40	JIS 10K 12"	435	675	255	120	1071
RTX-300	1306	699	420	55	1010	510	95	33	780	35	JIS 10K 12"	550	880	300	180	1700
RTX-350	1626	859	740	55	1010	510	95	33	780	35	JIS 10K 14"	550	880	300	180	2250
RTX-400	1766	929	880	55	1010	510	95	33	780	35	JIS 10K 16"	550	880	300	180	2500

Complete set dimension (Horizontal discharge silencer)



Model	A	B	C	D	E	ψF	G	H	J	K	L	M	m	ψO	P	Q	R	U	S	T	Wt.(kg)
RTX-40	235	202	180	20	350	28	104	731	46	140	50	500	-	14	98	255	150	20	105	589	85
RTX-50	274	242	191	50	350	28	104	933	75	140	38	795	-	13	208	209	150	20	105	589	122
RTX-65	303	272	194	50	350	28	104	936	75	152	38	795	-	13	208	238	150	24	115	589	132
RTX-80	371	297	212	50	450	38	107	1251	75	180	38	945	-	13	228	291	180	24	136	789	233
RTX-100	421	347	217	50	450	38	112	1262	75	180	38	945	-	13	228	341	180	22	136	789	247
RTX-125A	435	371	262	25	550	48	135	1851	100	250	100	900	-	19	133	240	250	24	174	1260	408
RTX-125	495	431	262	25	550	48	163	1851	100	250	100	900	-	19	138	300	250	24	174	1260	434
RTX-150	536	486	289	25	550	48	163	1874	100	250	100	900	-	19	138	341	250	26	180	1260	485
RTX-200A	560	498	402	33	935	65	198	2263	125	360	100	1300	650	20	313	352	250	27	205	1640	990
RTX-200	610	548	402	33	935	65	198	2263	125	350	100	1300	650	20	313	403	250	27	205	1640	1080
RTX-250	685	623	435	33	935	65	218	2500	125	360	100	1300	650	20	313	478	250	28	240	1760	1350
RTX-300A	800	723	435	38	925	75	255	2682	150	360	235	1530	765	24	273	523	300	32	260	1750	1660
RTX-300	780	607	550	45	1010	95	300	3097	250	510	235	2000	1000	33	325	400	300	32	260	1850	2500
RTX-350	940	767	550	45	1110	95	300	3367	250	510	235	2000	1000	33	325	560	350	35	265	2500	3380
RTX-400	1020	837	550	45	1110	95	300	3663	250	510	235	2000	1000	33	325	670	350	40	265	2700	3850

Complete set dimension (Vertical discharge silencer)



Model	A	B	C	D	E	ØF	G	H	J	K	L	M	m	ØO	P	Q	R	U	S	T	V	W	Wt.(kg)
RTX-40	235	202	108	20	350	28	104	731	46	140	50	500	-	14	98	255	150	20	105	300	417	420	102
RTX-50	274	242	191	50	350	28	104	933	75	140	37.5	795	-	12.7	208	209	150	20	105	300	389	420	130.5
RTX-65	303	272	194	50	350	28	104	936	75	152	37.5	795	-	12.7	208	238	150	24	115	350	440	485	142
RTX-80	371	297	212	50	450	38	107	1251	75	180	37.5	945	-	12.7	228	291	180	24	136	400	518	595	239
RTX-100	421	347	217	50	450	38	112	1262	75	180	37.5	945	-	12.7	228	341	180	22	136	450	547	665	262.5
RTX-125A	435	371	262	25	550	48	135	1851	100	250	100	900	-	19	133	240	250	24	174	500	715	805	423
RTX-125	495	431	262	25	550	48	163	1851	100	250	100	900	-	19	138	300	250	24	174	500	711	805	449
RTX-150	536	486	289	25	550	48	163	1874	100	250	100	900	-	19	138	341	250	26	180	598	773	920	519
RTX-200A	560	498	402	33	935	65	198	2263	125	360	100	1300	650	20	313	352	250	27	205	648	761	1080	984
RTX-200	610	548	402	33	935	65	198	2263	125	350	100	1300	650	20	313	403	250	27	205	648	743	1080	1076
RTX-250	685	646	435	33	935	65	218	2500	125	360	100	1300	650	20	313	478	250	28	245	700	820	1255	1356

Sound Proof Packaged

Features

Sound reduction packaged for RTX Series Roots blower to provide low noise effect during operation and safety environmental from loud noise.

- Fiber glass absorption material, capable to reduce noise of 10 -13 dB.
- Easy to assembly with streamline designed.
- Equipped with ventilation fan for interior temperature cooling.
- Featured 2 maintenance doors for convenient maintenance and overhaul.
- Available for all sizes and models.



- Inlet channel for air suction.



- Cooling fan outlet ventilation.



- Two side doors for maintenance access and overhaul.



- Interchangeable door knob handle for maintenance door.



- 3 phase, 380V, 50 Hz ventilation fan for interior temperature cooling.



- 90° Inlet silencer designed to accommodate with the packaged.

Remark:

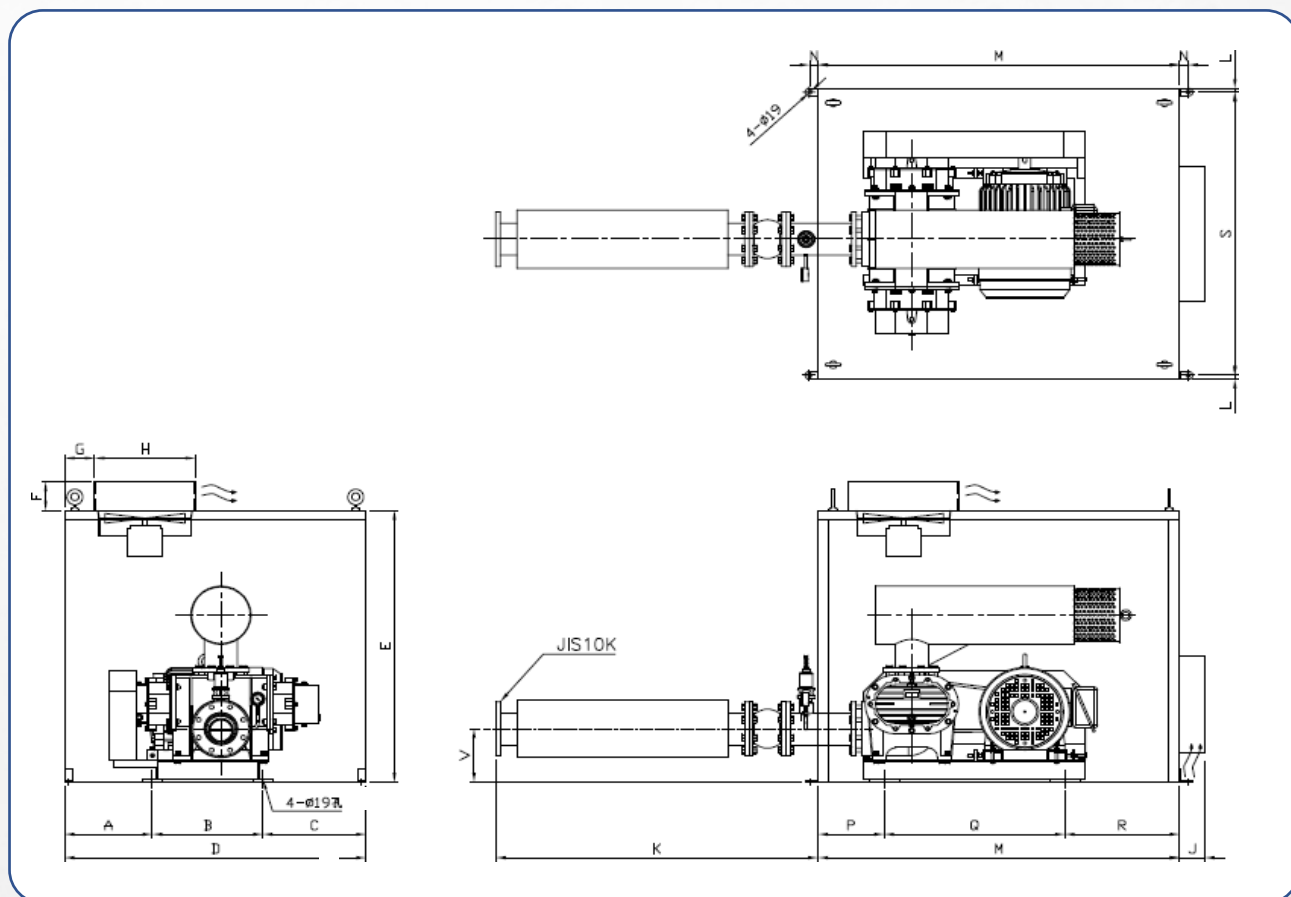
It is recommended to set the runtime-delay relay for ventilation fan at 10 -15 minute after the blower stop operating to allow interior cooling.

Specification

Model	Sound Proof Dimension (mm)			Maintenance Door Dimension (mm)		Ventilation Fan Specification				Component Material					
	Length	High	Width	High	Width	Capacity (cmm)	Power (HP)	Voltage	Q'ty	Exterior		Noise Absorption			Interior Frame
										Material	Thickness (mm)	Material	Density	Thickness (mm)	Material
RTX-40	900	700	800	700	700	200	0.5	380	1	SS400	1.6	Fiber Glass	48K	50	SS400
RTX-50	1000	750	800	750	800	200	0.5	380	1	SS400	1.6	Fiber Glass	48K	50	SS400
RTX-65	1000	750	800	750	800	200	0.5	380	1	SS400	1.6	Fiber Glass	48K	50	SS400
RTX-80	1300	900	1100	900	900	250	0.5	380	1	SS400	1.6	Fiber Glass	48K	50	SS400
RTX-100	1300	900	1100	900	900	250	0.5	380	1	SS400	1.6	Fiber Glass	48K	50	SS400
RTX-125A	1600	1200	1400	1150	900	250	0.5	380	1	SS400	1.6	Fiber Glass	48K	50	SS400
RTX-125	1600	1200	1400	1150	900	250	0.5	380	1	SS400	1.6	Fiber Glass	48K	50	SS400
RTX-150	1800	1400	1500	1400	900	250	0.5	380	1	SS400	1.6	Fiber Glass	48K	50	SS400
RTX-200A	1900	1600	1500	1600	800	250	0.5	380	2	SS400	1.6	Fiber Glass	48K	50	SS400
RTX-200	1900	1600	1500	1600	800	250	0.5	380	2	SS400	1.6	Fiber Glass	48K	50	SS400
RTX-250	2200	1600	1650	1600	900	250	0.5	380	2	SS400	1.6	Fiber Glass	48K	50	SS400
RTX-300A	2500	1800	2000	1800	1000	250	0.5	380	2	SS400	1.6	Fiber Glass	48K	50	SS400
RTX-300	2850	2100	1900	2100	1200	250	0.5	380	2	SS400	1.6	Fiber Glass	48K	50	SS400

Remark: Larger models are available upon request.

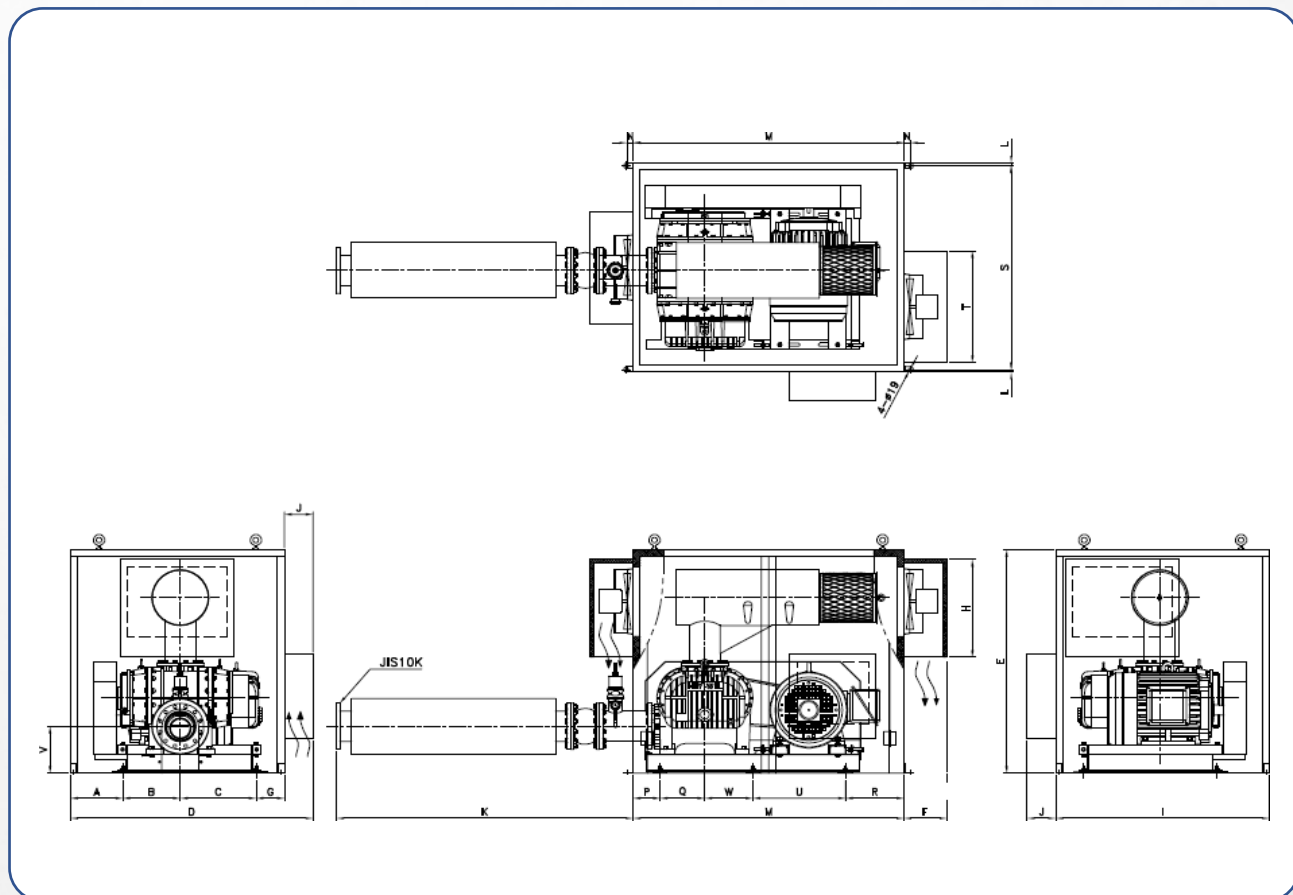
Complete set dimension (Sound proof packaged installation) For RTX-40 - RTX-150



mm.

Model	A	B	C	D	E	F	G	H	J	K	L	M	N	P	Q	R	S	V
RTX-40	195	350	255	800	700	150	47.5	465	100	825	20	900	42	181	500	219	760	150
RTX-50	209	350	241	800	750	150	47.5	465	100	834	20	1000	42	93	795	112	760	179
RTX-65	238	350	212	800	750	150	47.5	465	100	835	20	1000	42	93	795	112	760	179
RTX-80	309	450	341	1100	900	150	100	500	125	1054	20	1073	42	128	945	227	1060	182
RTX-100	259	450	391	1100	1050	150	100	500	125	1052	20	1300	42	128	945	227	1060	187
RTX-125A	510	550	340	1400	1200	150	150	500	125	1617	20	1600	42	308	900	392	1360	235
RTX-125	450	550	400	1400	1200	150	150	500	125	1613	20	1600	42	308	900	392	1360	263
RTX-150	437	550	513	1500	1400	150	150	500	125	1605	20	1800	42	328	900	571	1460	275

Complete set dimension (Sound proof packaged installation) For RTX-200A - RTX-300




mm.


Model	A	B	C	D	E	F	G	H	I	J	K	L	M	N	P	Q	R	S	T	W	U	V
RTX-200A	373	352	583	1700	1600	300	192	700	1500	200	2089	20	1900	42	190	313	410	1460	800	337	650	335
RTX-200	367	402	533	1700	1600	300	198	700	1500	200	2079	20	1900	42	190	313	410	1460	800	337	650	335
RTX-250	368	477	457	1850	1600	300	348	700	1650	200	2250	20	2200	42	190	313	710	1610	800	337	650	355
RTX-300A	468	548	378	2250	1800	300	608	700	2000	250	2205	20	2500	42	325	273	646	1960	800	493	765	417
RTX-300	565	400	610	2150	2100	300	325	700	1900	250	2327	20	2850	42	400	325	450	1860	800	675	1000	562


Remark: Larger models are available upon request.

WASTEX

บริษัท เกรทโอเรียนเต็ลเทรดดิ้ง จำกัด

 074-300212-4

 GreatOrientalTrading-GOT

 @gotrading


Great Oriental Trading
www.gotrading.co.th